

Technical data sheet

Type 895 Non return-valve System 05

Applications and special features



- Operating position : horizontal and vertical
- Minimum occupation of space
- Very low head loss
- For pumping, water supply, general industry
- Closing system : double plate with return spring

Technical description

DN "	mm	PN	PFA in bar	PS in bar				Cat.	References	Vvs-nr
				L1	L2	G1	G2			
2	50	10/16	16	16	16	16	16	I	149B 3000	
2 ^{1/2}	65	10/16	16	16	16	15	16	I	149B 3001	
3	80	10/16	16	16	16	12	16	I	149B 3002	
4	100	10/16	16	16	16	10	16	I	149B 3003	
5	125	10/16	16	16	16	0,5	16	I	149B 3004	
6	150	10/16	16	13	16	0,5	16	I	149B 3005	
8	200	10/16	16	10	16	0,5	16	I	149B 3006	
10	250	10/16	16	10	16	0,5	14	I	149B 3007	
12	300	10/16	16	10	16	0,5	11	I	149B 3008	

Important notice:

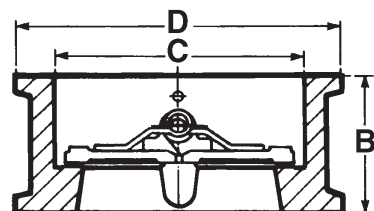
The indicated pressure for the different categories of fluids (L1/L2/G1/G2) is under no condition a guarantee of use. Therefore, it is essential to validate the use of products under given operating conditions.

The operating instructions are available on our web site www.danfoss-socla.com or by simple request from our sales department.

- **Connection** : Mounting between flanges, PN see table.
- **Permissible operating pressure PFA - water-** (for supply, distribution and disposal of water) : See table
- **Maximum permissible pressure PS - other mediums** : See table
- **T°** : Mini. -10 °C
Maxi. 100 °C
- **Mediums** : Clear water, gas
- **Approvals** : VERITAS (France), ACS (France)
WRAS (UK)
CE Conformity (Europe)
- **International construction Standards** :
CE Conformity Directive 97/23/CE
Flange drilling according to EN1092-2
Overall dimensions according to EN558-1 serie 50

Overall dimensions

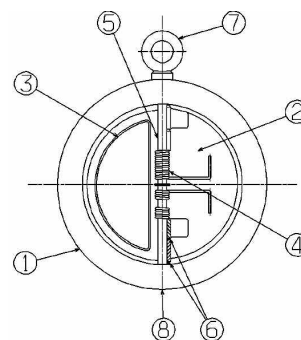
DN	B	C	D	Weight
"	mm	mm	mm	kg
2	50	54	60	1,2
2 ^{1/2}	65	54	73	1,8
3	80	57	89	2,9
4	100	64	114	3,9
5	125	70	141	5,8
6	150	76	168	8
8	200	95	219	14
10	250	108	273	22
12	300	143	324	34



Technical data sheet Type 895 - Non return-valve

Spare parts list and materials

Nb	Description	Materials	EURO	ANSI
1	CASING DN50 to 150	Cast iron + epoxy	EN-GJL-250	ASTM A 48 35 B
	DN200 to 300	Ductile iron + epoxy	EN-GJS-400.15	ASTM A 536 60-40-18
2	PLATES	Stainless steel	X5CrNi18-10	AISI 304
3	SEAL	EPDM		
4	SPRING	Stainless steel	X5CrNiMo17-12-2	AISI 316
5	STEM	Stainless steel	X5CrNiMo17-12-2	AISI 316
6	BEARING	PTFE		
7	EYE BOLT DN>150	Steel XC15		
8	PLUGS	Brass		



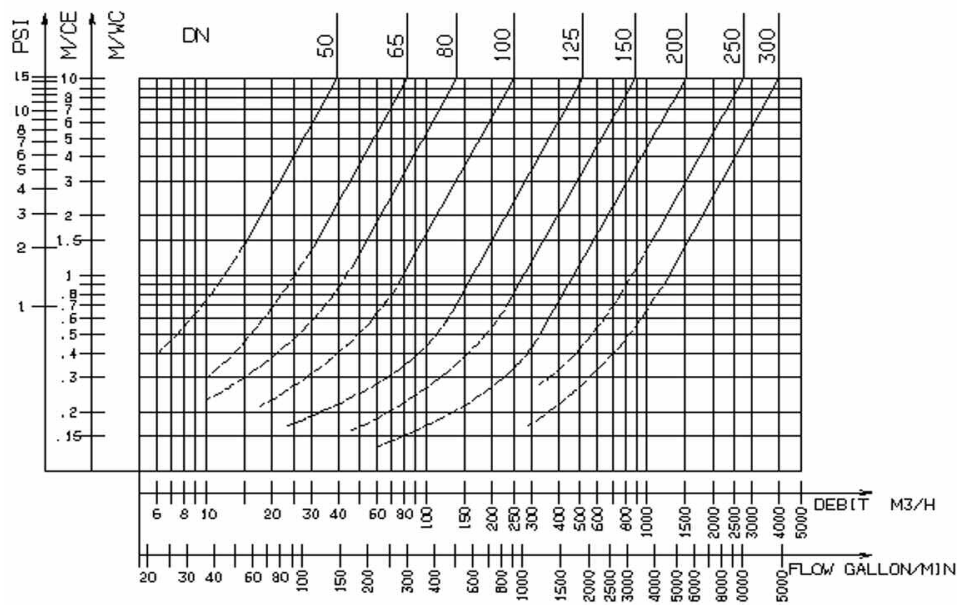
Working principle

DN		Opening pressure in mm/CE ↕	Kv	ζ
"	mm		m ³ /H	
2	50	Near 0	39,50	6,30
2 1/2	65		82,50	4,10
3	80		137,00	3,40
4	100		250,00	2,50
5	125		513,00	1,45
6	150		891,00	1,00
8	200		1503,00	1,10
10	250		2746,00	1,10
12	300		3986,00	1,10

Directions for use :

- Solid line : Valve completely open
- Dotted line : opening stage of valve

ΔP



Danfoss can accept no responsibility for possible errors in catalogue, brochures and other printed material. Danfoss reserve the right to alter its products without notice. This also applies to products already agreed. All trademarks in this material are the property of the respective companies. Danfoss and the logo type are trademarks of Danfoss A/S. All right reserved.