

# Ball valve DZR PN25 Threaded ends

Ball Valves

Pressure/temperature rating

TA86/TA86EL

25 bar from -10°C to 120°C

Test pressure hydraulic

Shell 37,5 bar

Seat 27,5 bar

Specification

DZR copper alloy

Threaded ends ISO-7

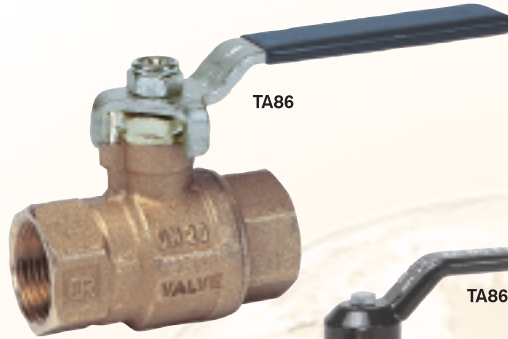
Full bore hard chrome plated ball

PTFE seats

TA86 ball valve with lever

TA86EL ball with extension lever.

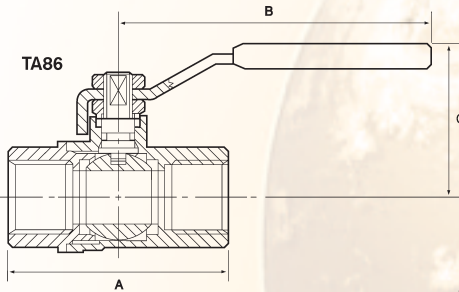
Available in lockshield pattern.



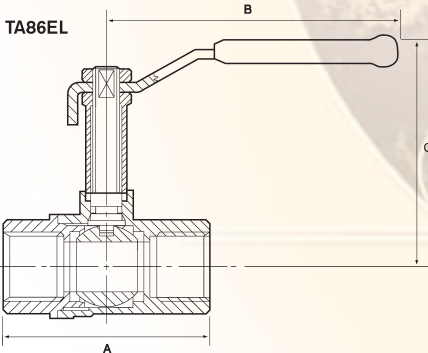
TA86



TA86EL



TA86



TA86EL

### Material specification

Component	Material	Specification
Body	DZR copper alloy	CW 602 N
Stem	DZR copper alloy	CW 602 N
Stem seal	PTFE	
Ball (chrome plated)	Brass	CW 617 N
Lever handle (TA86)	Pressed steel	UNI 5706
Ext. lever handle (TA86EL)	Aluminium	
Seat	PTFE	

### Dimensions (mm)

Size	15	20	25	32	40	50
A	58	66	80	93	104	123
B	85	85	117	117	160	160
C	45	48	56	60	80	80
C1	95	96,5	100,5	106	142	149

TA

