

F615, F625, F629 GEM Butterfly Valves PN16

CRANE

FLUID SYSTEMS

Fully-Lugged Gearbox Operated Valves to BSEN593

WRAS
F625
APPROVED
PRODUCT

Key Features:

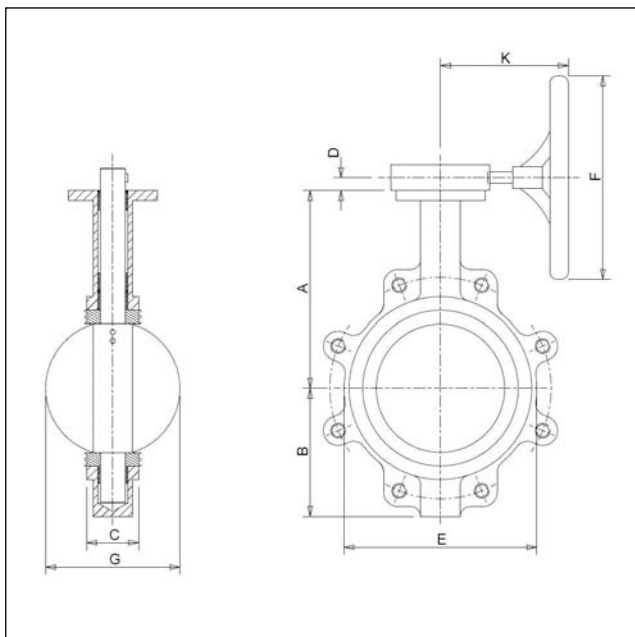
- Aluminium Bronze disc
- Stainless steel shaft
- Gearbox operated
- Valves are suitable for use with flanges conforming to BSEN1092-2 PN10 or PN16 - Sizes 65-200mm
- BSEN 1092-2 PN16 flanges only - Sizes 250-600mm PN16 only

Materials

Part	Material
Body	Ductile Iron ASTM A536 (Epoxy Paint)
Disc	Aluminium Bronze
Liner (F615)	Nitrile Temp. -10 to 90°C
Liner (F625)	EPDM (WRAS Approved) Temp. -10 to 100°C
Liner (F629)	EPDM (High Temperature) Temp. -10 to 130°C
Shaft	Stainless Steel Type 410
Taper Pin	Stainless Steel Type 316
Key	Carbon Steel
O Ring	Buna-N
Bushing	PTFE



Dimensional Drawing



Dimensions and Weights

Size	Weight	A (mm)	B (mm)	C (mm)	D (mm)	E (mm)	F (mm)	G (mm)	K (mm)
50mm	7	162	83	44	42	102	150	32	240
65mm	8	175	95	48	42	121	150	46	240
80mm	9	181	102	48	42	130	150	64	240
100mm	10	200	124	54	42	171	150	90	240
125mm	17	213	136	57	42	197	300	111	240
150mm	18	225	150	57	42	219	300	145	240
200mm	25	260	197	63	40	268	300	193	230
250mm	31	292	210	70	40	332	300	241	230
300mm	44	337	248	79	40	410	300	290	230
350mm	60	368	279	79	40	435	300	325	230
400mm	93	400	305	89	*	508	450	380	277
450mm	112	422	381	108	*	543	450	427	277
500mm	156	479	381	133	*	592	450	474	321
600mm	251	562	457	156	*	708	450	574	335

Pressure Rating: PN16

End Connection: Lugged

Operator: Gearbox

Specification:

F615 Suitable for Group 1 and 2 gases and Group 1 and 2 liquids as defined by the Pressure Equipment Directive 97/23/EC.

F625 Suitable for Group 2 liquids only as defined by the Pressure Equipment Directive 97/23/EC and these valves are WRAS Approved.

F629 Suitable for Group 2 liquids only as defined by the Pressure Equipment Directive 97/23/EC.