

DONKIN UNDER PRESSURE DRILLING VALVE, PN16

158

The series 158 is a clear bore construction valve for use in making under pressure connections to low, medium and intermediate pressure gas distribution systems. The product is manufactured and approved to specification GIS/V7: Part 1

Features:

- Soft seal, positive shut off.
- Double 'O' ring stem seal.
- Lightweight and easy to handle.
- Clear bore.
- Maintenance free.
- No lubrication required.
- Unique Valve Identification.
- Supplied with long stud bolts.
- PN 16.

Options:

- Retro fit clip-on position indicator available.
- Available with:
 - Handwheel
 - Handwheel/indicator
 - Bare shaft end.
 - False cap

Donkin Valves offer a complete range of under-pressure tees, under-pressure drilling valves and drilling machines to enable live connections to existing gas distribution mains.

For full details of our under-pressure tees and drilling machines please contact our sales office.



The designs, materials and specifications shown are subject to change without notice due to our continuing programme of product development.

SERVICE CONDITIONS

Maximum working pressure: 7 Bar (100 psig).
Temperature range: -10°C to +60°C.

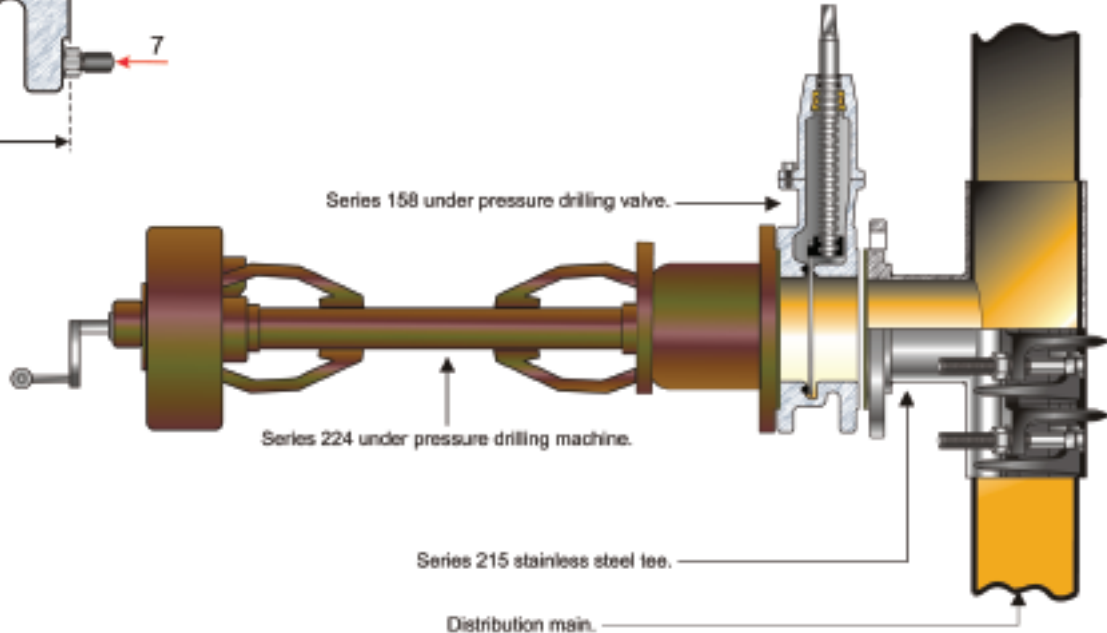
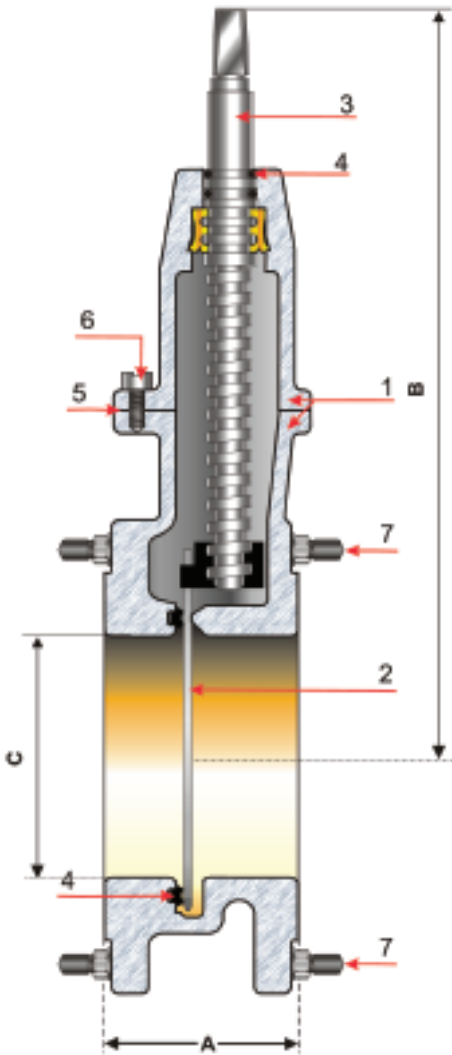
APPLICABLE STANDARDS

GIS/V7 : Part 1, EN12266.

MATERIALS OF CONSTRUCTION

No.	DESCRIPTION	MATERIAL
1	Body & bonnet	Cast iron. EN 1561 - GJL 250.
2	Door	Carbon steel. EN 43 B
3	Stem	Carbon steel. BS 970 220M07.
4	Stem/Seat Seal	Nitrile rubber. EN 682
5	Body bonnet seal	CNAF.
6	Fastenings	Carbon steel. BS 4190 GR 4.6.
7	Bolts	Carbon steel. BS 4190 GR 4.6.
	Handwheel	Cast iron. EN 1561 - GJL 250.

Plan view of a Donkin series 158 Under pressure drilling valve located between the Donkin series 215 stainless steel under pressure tee and series 224 under pressure drilling machine.



DIMENSIONS (mm) & WEIGHTS

Size	A	B	C	Turns to Close	Weight (kg)
80mm	90	292	85	12.5	11
100mm	90	324	105	14.5	13.5
150mm	120	408.5	155	14.5	27
200mm	120	483	205	18.5	47
250mm	140	618.5	255	23	84
300mm	140	701	310	27.5	120