

BUTTERFLY VALVE

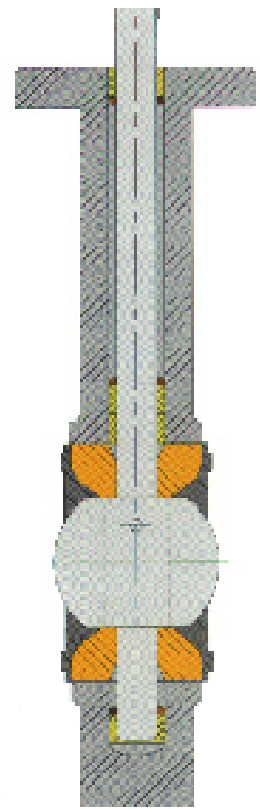
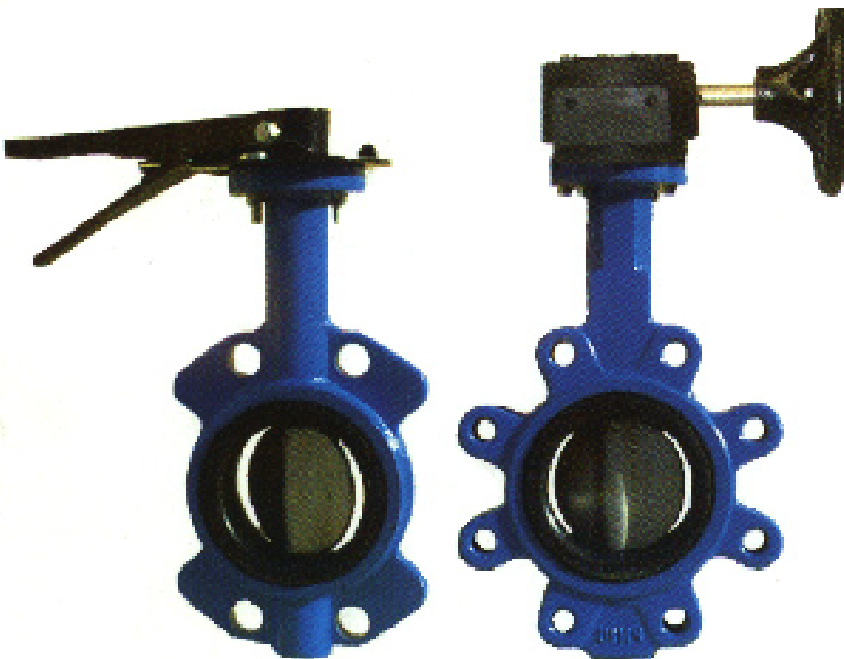
Fits Between PN16 Flanges Only

Pressure / Temperature Rating

Maximum Temperature 95°C (Continuous)
120°C (Intermittent)
Maximum Pressure 16 Bar

Test Pressures (Hydraulic)

Shell: 24 Bar
Seat: 16 Bar



Materials

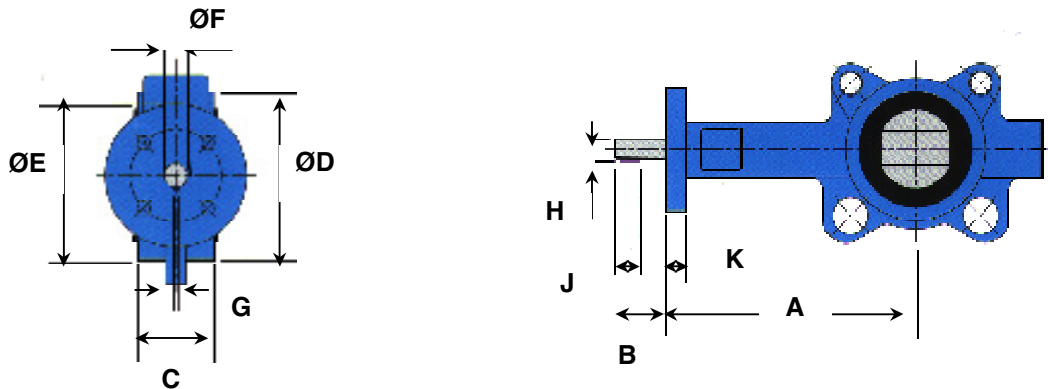
Part	Material
Body	Cast iron to BS 1452 GR.220
Disk	Stainless Steel
Seat	EPDM bonded to Phenolic backing ring
Shaft & Pins	Stainless Steel
Shaft bearings	Lubricated Bronze
Shaft Seals	EPDM

Valves comply with the face to face dimensions of BS 5155

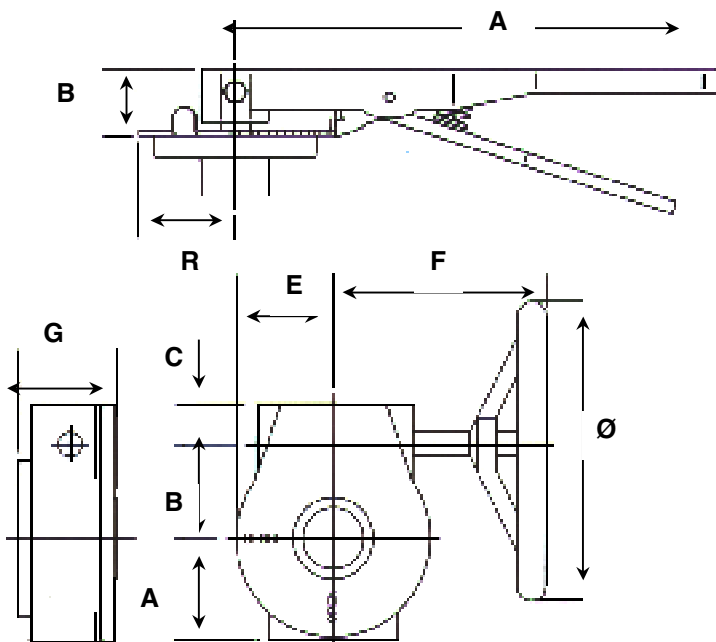
Individually Hydrostatically tested in accordance with BS 6755 part 1

BUTTERFLY VALVE

DIMENSIONS



DN MM	ISO 5211	'A'	'B'	'C'	'D'	'E'	'F'	'G'	'H'	'J'	'K'	WT kg	
												WAF	LUG
50	F05	161	32	42	100	77	12.6	3	13.8	11.5	13	2.5	4.3
65	F05	175	32	44.7	120	77	12.6	3	13.8	11.5	13	3.2	4.7
80	F05	181	32	45.2	127	77	12.6	3	13.8	11.5	13	3.6	4.9
100	F07	200	32	52.1	156	92	15.7	5	17.77	12.9	13	4.9	9.1
125	F07	213	32	54	190	92	18.9	5	20.92	15.9	13	7	12.1
150	F07	226	32	55	212	92	18.9	5	20.92	15.9	13	7.8	13.2
200	F10	260	45	60.6	268	115	22.1	5	24.1	15.9	13	13.2	19.5
250	F10	292	45	65.3	325	115	28.4	8	31.45	22.2	13	19	29.5
300	F12	337	45	75.9	403	140	31.6	8	34.6	22.2	19	32.5	49



LEVERS

Valve Size mm	A mm	B mm	R mm
50-80	237	45	47
100-150	267	45	51
200-250	353	45	76

INDEX OF VALUE TYPES

Fig. WB	Wafer Pattern, Bareshaft
Fig. WL	Wafer Pattern, Lever Operated
Fig. WG	Wafer Pattern, Gear Operated
Fig. LB	Lugged Pattern, Bareshaft
Fig. LL	Lugged Pattern, Lever Operated
Fig. LG	Lugged Pattern, Gear Operated

GEAR OPERATORS

Model	Valve Size mm	A mm	B mm	C mm	E mm	F mm	G mm	Ø mm
3D-15	50-80	64	48	31	59	150	73	150
3D-50	100-150	80	70	39	78	200	89	250
3D-120	200-250	98	95	44	98	250	98	300